

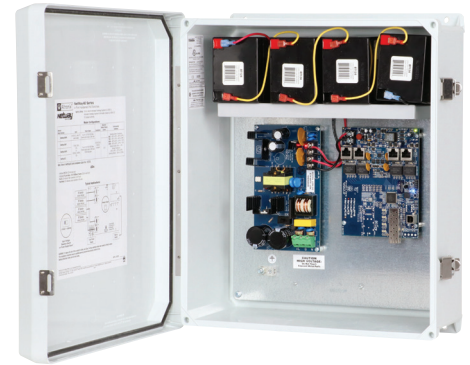
NetWay4EWPX

4-port PoE+ Hardened Switch



Altronix NetWay4EWPX Outdoor PoE+ Hardened Switch provides a 1Gb SFP port and four (4) PoE+ (30W) ports. Cameras/edge devices may be located up to 100m from the unit. Embedded LINQ Technology allows you to monitor, control, and report power and diagnostics from anywhere.

For unmanaged switch see model NetWay41EWPX.



NetWay4EWPX

Key Features

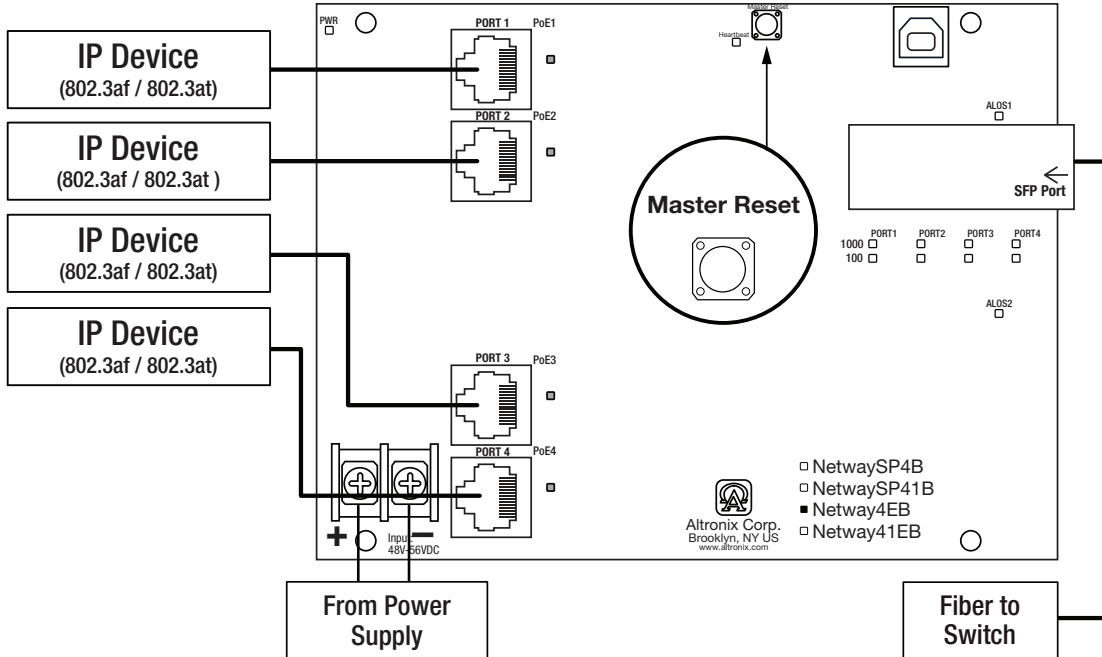
- Four (4) 10/100/1000 Mbps PoE/PoE+ (up to 30W) ports
- IEEE 802.3af (15W) and IEEE 802.3at (30W) compliant
- 120W total power
- One (1) Gigabit SFP port
- NEMA4/4X, IP66 Rated enclosure for outdoor use
- Accommodates four (4) 12VDC/4AH batteries (48V of backup)
- Built-in charger for sealed lead acid or gel type batteries
- Automatic switch over to stand-by battery when AC fails
- PoE activity LED indicators
- UL Listed in the U.S. and Canada
- CE European Conformity
- Lifetime Warranty

Similar products

NetWay4EWP	Outdoor 4-port PoE+ Hardened Switch in NEMA 4/4X, IP66-11 enclosure
NetWay4EWPN	Outdoor 4-port PoE+ Hardened Switch only in NEMA 4/4X, IP66-11 enclosure
NetWay4EPL	4-port PoE+ Hardened Switch with Integral Power on a Backplane
NetWay4EX	Indoor 4-port PoE+ Hardened Switch in NEMA 1 Rated indoor enclosure
NetWay4EB	4-port PoE+ Hardened Switch (board only)

Lifetime Warranty

Typical Application



Lifetime Warranty

Specifications

4-port PoE+ Hardened Switch (NetWay4EB):

Input

Voltage 56VDC from POE201

Power Output

Maximum Power Four (4) 10/100/1000 Mbps PoE/PoE+ (up to 30W) ports IEEE 802.3at (30W) and IEEE 802.3af (15W) compliant 120W total power Integral surge protection

Fiber Port: One (1) Gigabit SFP port

Ethernet Ports:

Four (4) 10/100/1000 Mbps ports Connectivity: RJ45, auto-crossover Wire type: 4-pair CAT5 or better structured cable Distance: up to 100m Speed: 10/100/1000 Mbps, half/full duplex, auto negotiation

LINQ Technology:

Remote network management allows for camera/device reset and monitoring Provides local and/or remote access to critical information via LAN/WAN Email and Windows Dashboard Alert notifications report real-time diagnostics Event log tracks history

Indicators (LED)

Individual PoE On LEDs for each port Individual IP Link status, 10/100Base-T/active LEDs for each port ALOS LED indicates fiber connection for SFP port Heartbeat LED indicates proper operation of the unit

VLAN:

Multiple management VLAN assignment 802.1Q Tagged VLAN Up to 10 VLAN groups. ID Range 2-4095

Power Supply/Charger (POE201):

Input

Voltage 115VAC, 60Hz, 2.5A or 230VAC, 50/60Hz, 1.3A

Input Fuse 5A/250V

Output

Voltage 56VDC/120W Current 2.2A continuous supply current Maximum Power 120W total power Integral surge protection

Battery Charging

Type Sealed lead acid or gel type Failover Upon AC loss, instantaneous Charging Circuit 48VDC, 0.75A Batteries are sold separately

NetWay4EWPX:

Agency Listings

UL/cUL UL60950-1 (Information Technology Equipment) UL60950-22 (Information Technology Equipment to be installed Outdoors) CE European Conformity

Physical and Environmental

Dimensions (H x W x D)

Enclosure: 17.53" x 15.3" x 6.67" (445.3mm x 388.6mm x 169.4mm) Shipping: 21.375" x 14.5" x 9.5" (542.9mm x 374.7mm x 241.3mm)

NEMA 4/4X, IP66-11 Rated enclosure for outdoor use Accommodates four (4) 12VDC/4AH batteries (48V of backup) *For outdoor battery backup, battery enclosure must have sufficient ventilation. Use Altronix Vent2 kit*

Weight (approx.)

Product: 15 lb. (6.8 kg) Shipping: 17.5 lb. (7.9 kg)

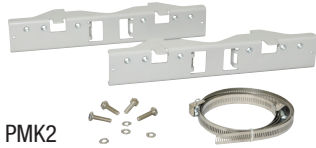
Temperature

Operating:
60W: - 40°C to 75°C (- 40°F to 167°F)
75W: - 40°C to 70°C (- 40°F to 158°F)
100W: - 40°C to 55°C (- 40°F to 131°F)
120W: - 40°C to 45°C (- 40°F to 113°F)
Storage: - 40°C to 85°C (- 40°F to 185°F)

Relative Humidity 85% +/- 5%
BTU/Hr (approx.) 61 BTU/Hr.
Operating Altitude: - 304.8 to 2,000m

Lifetime Warranty

Accessories (order separately)



PMK2

PMK2 - Pole Mount Kit

PMK2 pole mount kit is designed to simplify installation of outdoor units. It accommodates 2" - 8" (diameter) poles.



SFP Modules - Hot Pluggable Transceivers

P1MM	Multi-Mode SFP Module for distances up to 550m
P1SM10	Single-Mode SFP Module for distances up to 10km
P1AB2K	Single Strand SFP Module for distances up to 2km
P1GCE	Copper SFP Module for distances up to 100m



NetWaySP1A

NetWaySP1A

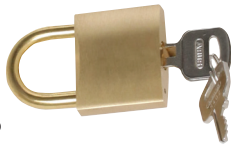
Ethernet over Fiber Media Converter/Repeater for Applications Requiring an Additional SFP Port
NetWaySP1A PoE powered media converter/repeater converts 10/100/1000 Mbps to Fiber (1000Base-X/SX/LX).



Vent2

Vent2 - Air Vents For NEMA4/4X Rated Enclosures

Altronix Vent2 air vents ensure efficient air circulation and prevent water condensation in NEMA4/4X Rated Enclosures. Pair of air vents must be mounted per enclosure.



Lock1WP

LOCK1WP - Pad Lock for Altronix Outdoor Enclosures

Altronix Lock1WP is a pad lock to secure the latches on Altronix outdoor enclosures. Includes a single pad lock and two (2) keys.



WG1

WG1 - NEMA Rated Wire Gland Inlet

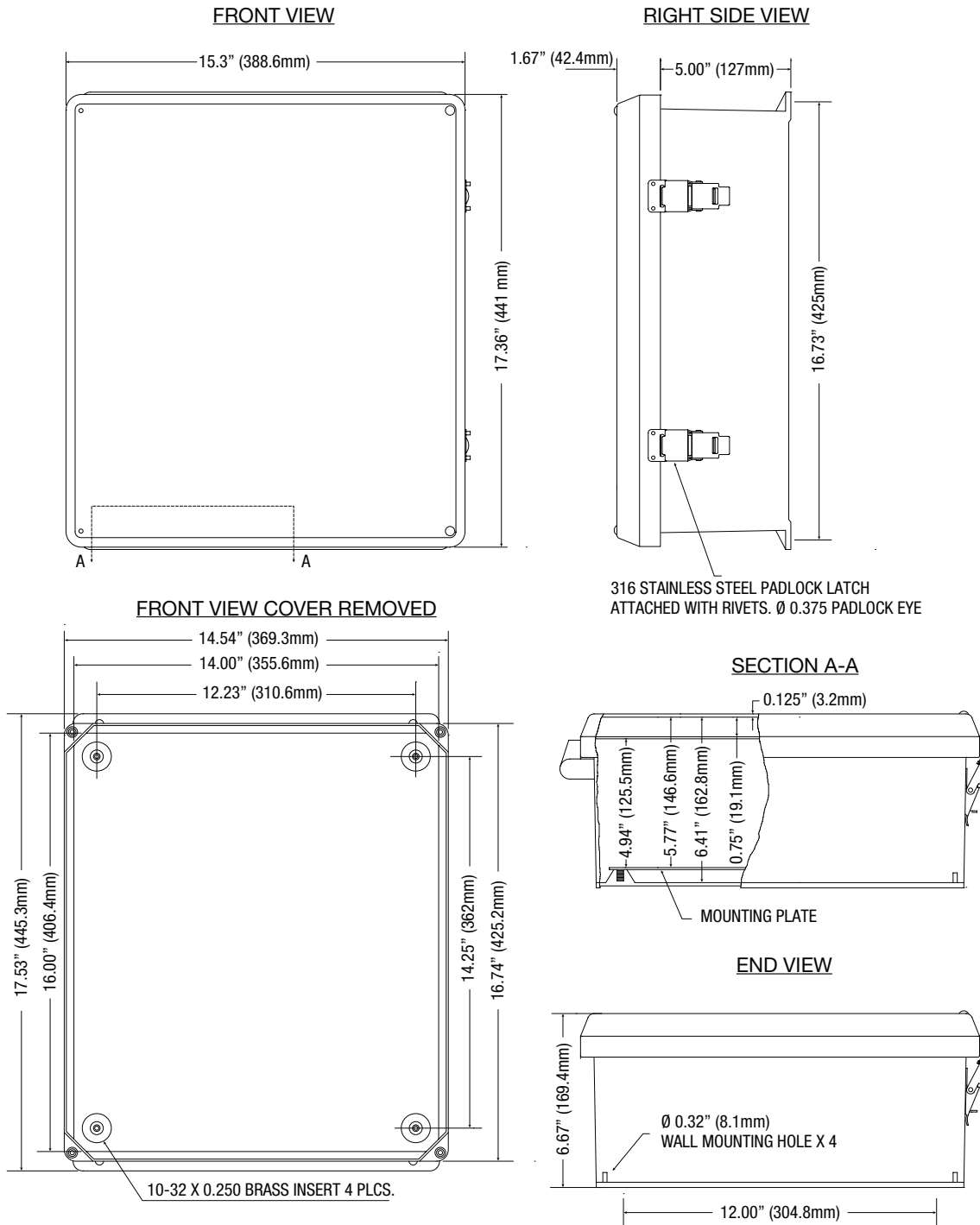
Altronix WG1 facilitates wiring for all Altronix outdoor enclosures.

Lifetime Warranty

Dimensions and Drawing

Dimensions (H x W x D approximate)

17.53" x 15.3" x 6.67" (445.3mm x 388.6mm x 169.4mm)



Lifetime Warranty