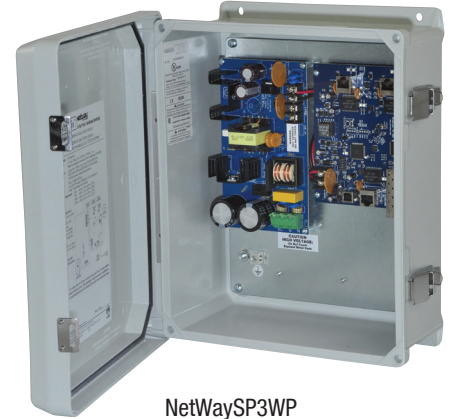


# NetWaySP3WP

## 3-port Outdoor Hardened PoE Switch with Integral Power



Altronix NetWaySP3WP Outdoor PoE+ Hardened Switch provides a 1Gb SFP port and two (2) 60W ports and a single 30W port. Cameras/edge devices may be located up to 100m from the unit. Embedded LINQ Technology allows you to monitor, control and report power and diagnostics from anywhere.



NetWaySP3WP

### Key Features

- One (1) Gigabit SFP port
- 120W total power:
  - Two (2) 60W ports (PoE / PoE+ / Type 3 4PPoE)
  - One (1) 30W port (PoE / PoE+)
- 10/100/1000 Mbps each port
- IEEE 802.3af (15W), IEEE 802.3at (30W) and IEEE 802.3bt (60W) compliant.
- PoE activity LED indicators
- NEMA4/4X, IP66 Rated enclosure for outdoor use
- Built-in charger for sealed lead acid or gel type batteries
- Automatic switch over to stand-by battery when AC fails
- UL Listed in the U.S. and Canada
- CE European Conformity
- Lifetime Warranty

### Similar products

<b>NetWaySP3WPX</b>	Outdoor 3-port PoE+ Hardened Switch in NEMA 4/4X, IP66-11 enclosure which accommodates stand-by batteries
<b>NetWaySP3WP</b>	Outdoor 3-port PoE+ Hardened Switch in NEMA 4/4X, IP66-11 enclosure
<b>NetWaySP3WPN</b>	Outdoor 3-port PoE+ Hardened Switch only in NEMA 4/4X, IP66-11 enclosure
<b>NetWaySP3X</b>	Indoor 3-port PoE+ Hardened Switch in NEMA 1 Rated indoor enclosure
<b>NetWaySP4PL</b>	3-port PoE+ Hardened Switch with Integral Power on a Backplane

### Lifetime Warranty

### Specifications

#### 3-port PoE+ Hardened Switch (NetWaySP3B):

##### Input

Voltage 56VDC from POE201

##### Power Output

Maximum Power Two (2) 60W ports (PoE/PoE+)  
One (1) 30W port (PoE/PoE+)  
IEEE 802.3at (30W),  
IEEE 802.3af (15W) or 60W compliant  
120W total power  
Integral surge protection

Fiber Port: One (1) Gigabit SFP port

##### Ethernet Ports:

Three (3) 10/100/1000 Mbps ports  
Connectivity: RJ45, auto-crossover  
Wire type: 4-pair CAT5 or  
better structured cable  
Distance: up to 100m  
Speed: 10/100/1000 Mbps,  
half/full duplex, auto negotiation

##### LINQ Technology:

Remote network management allows for camera/device reset and monitoring  
Provides local and/or remote access to critical information via LAN/WAN  
Email and Windows Dashboard Alert notifications report real-time diagnostics  
Event log tracks history

##### Indicators (LED)

Individual PoE On LEDs for each port  
Individual IP Link status, 10/100Base-T/active LEDs for each port  
ALOS LED indicates fiber connection for SFP port  
Heartbeat LED indicates proper operation of the unit

#### Power Supply/Charger (POE201):

##### Input

Voltage 115VAC, 60Hz, 2.5A or  
230VAC, 50/60Hz, 1.3A

Input Fuse 5A/250V

##### Output

Voltage 56VDC/120W  
Current 2.2A continuous supply current  
Maximum Power 120W total power  
Integral surge protection

##### Battery Charging

Type Sealed lead acid or gel type  
Failover Upon AC loss, instantaneous  
Charging Circuit 48VDC, 0.75A  
Batteries are sold separately

#### NetWaySP3WP:

##### Agency Listings

UL/cUL UL60950-1  
(Information Technology Equipment)  
UL60950-22  
(Information Technology Equipment  
to be installed Outdoors)  
CE European Conformity

##### Physical and Environmental

##### Dimensions (H x W x D)

Enclosure: 13.31" x 11.31" x 5.59"  
(338.1mm x 287.3mm x 142mm)  
Shipping: 20.25" x 12.5" x 7.25"  
(514.4mm x 317.5mm x 184.2mm)

NEMA 4/4X, IP66-11 Rated enclosure for outdoor use

##### Weight (approx.)

Product: 10.32 lb. (4.68 kg)  
Shipping: 11.7 lb. (5.3 kg)

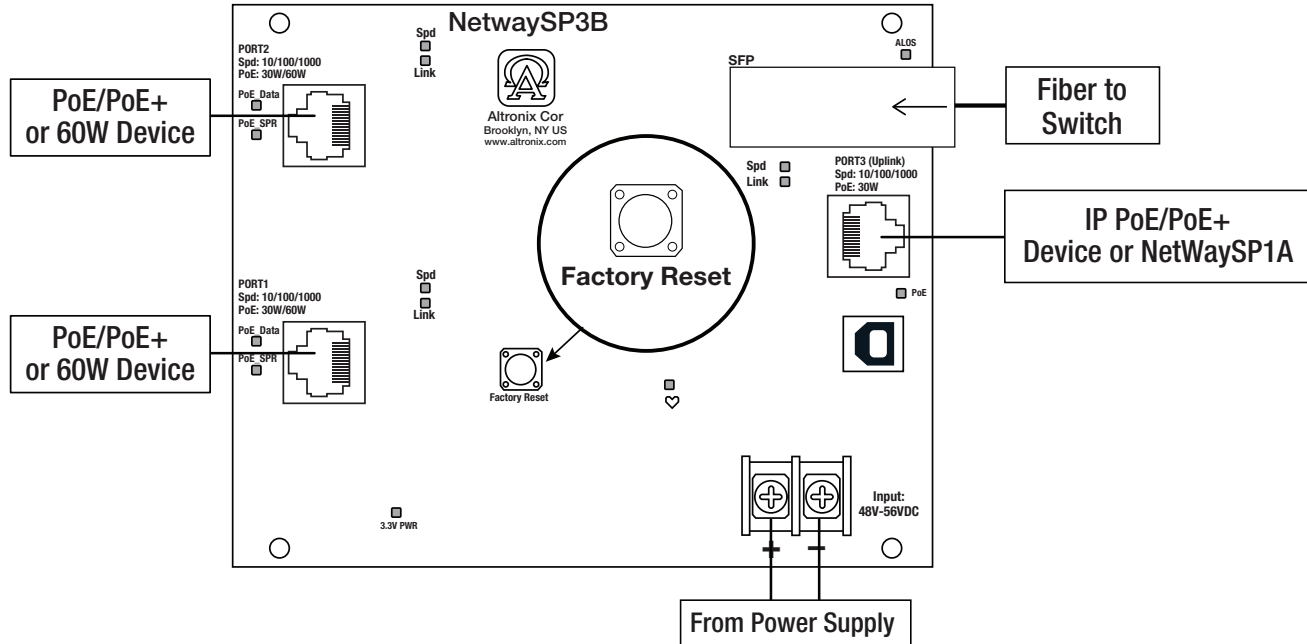
##### Temperature

Operating:  
60W: - 40°C to 75°C (- 40°F to 167°F)  
75W: - 40°C to 70°C (- 40°F to 158°F)  
100W: - 40°C to 55°C (- 40°F to 131°F)  
120W: - 40°C to 45°C (- 40°F to 113°F)  
Storage: - 40°C to 85°C (- 40°F to 185°F)

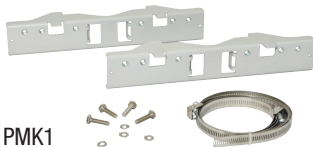
Relative Humidity 85% +/- 5%  
BTU/Hr (approx.) 61 BTU/Hr.  
Operating Altitude: - 304.8 to 2,000m

#### Lifetime Warranty

### Typical Application



### Accessories (order separately)



PMK1

#### PMK1 - Pole Mount Kit

PMK1 pole mount kit is designed to simplify installation of outdoor units. It accommodates 2" - 8" (diameter) poles.



#### SFP Modules - Hot Pluggable Transceivers

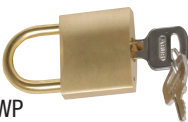
- P1MM Multi-Mode SFP Module for distances up to 550m
- P1SM10 Single-Mode SFP Module for distances up to 10km
- P1AB2K Single Strand SFP Module for distances up to 2km
- P1GCE Copper SFP Module for distances up to 100m



NetWaySP1A

#### NetWaySP1A

Ethernet over Fiber Media Converter/Repeater for Applications Requiring an Additional SFP Port  
NetWaySP1A PoE powered media converter/repeater converts 10/100/1000 Mbps to Fiber (1000Base-X/SX/LX).



Lock1WP

#### LOCK1WP - Pad Lock for Altronix Outdoor Enclosures

Altronix Lock1WP is a pad lock to secure the latches on Altronix outdoor enclosures. Includes a single pad lock and two (2) keys.



WG1

#### WG1 - NEMA Rated Wire Gland Inlet

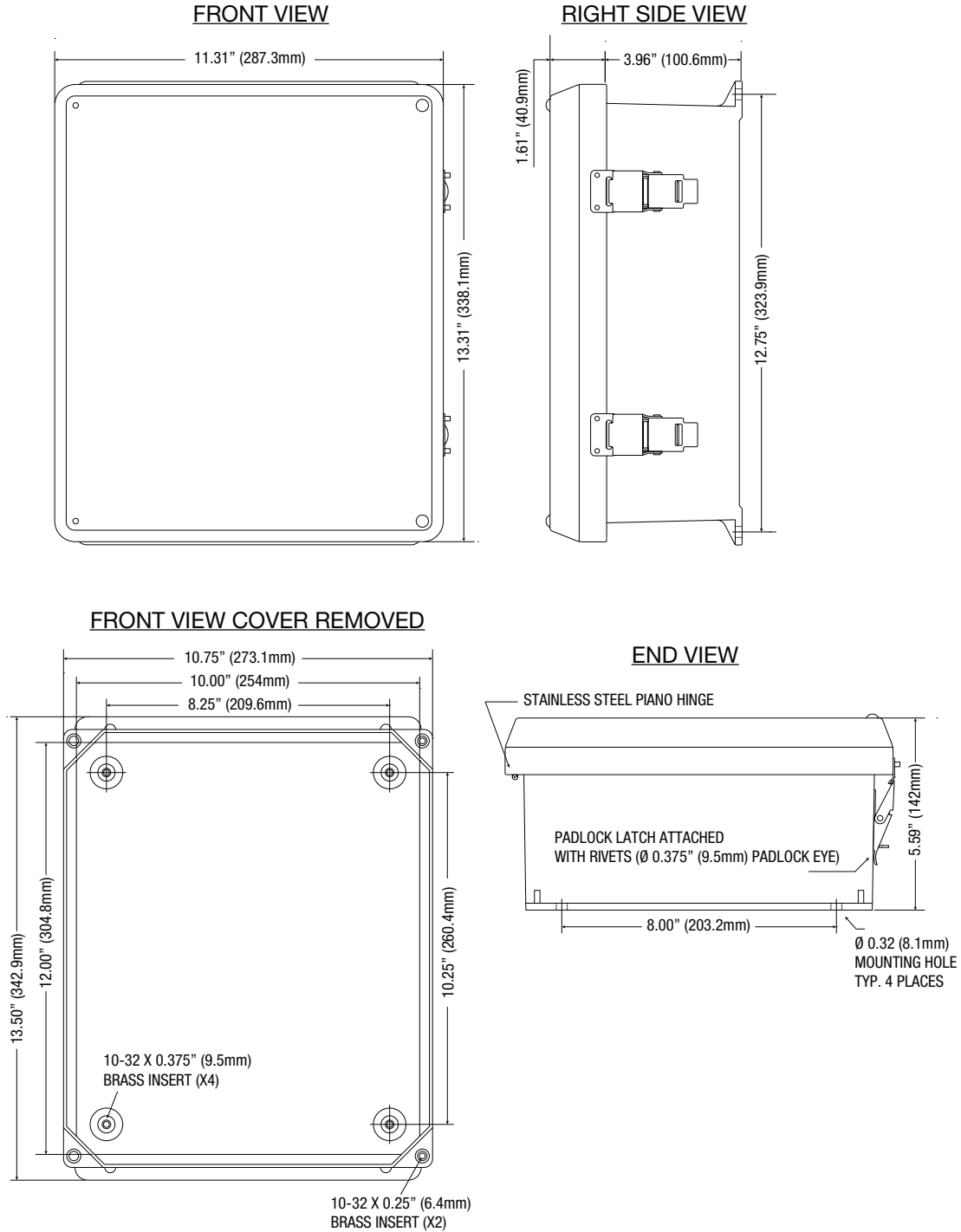
Altronix WG1 facilitates wiring for all Altronix outdoor enclosures.

### Lifetime Warranty

### Dimensions and Drawing

Dimensions (H x W x D approximate)

13.31" x 11.31" x 5.59" (338.1mm x 287.3mm x 142mm)



### Lifetime Warranty

Altronix Corporation | 140 58th St | Brooklyn, NY 11220 USA

phone: +1 718.567.8181 | fax: +1 718.567.9056 | email: info@altronix.com | www.altronix.com