

NetWaySP8WP

8-port Outdoor Hardened PoE Switch with Integral Power



Altronix NetWaySP8WP PoE+ Outdoor Hardened Switch provides two (2) 1Gb SFP (Fiber) ports and eight (8) PoE+ (30W) or two (2) 60W ports, passing data for PoE/PoE+ compliant devices. Cameras/edge devices may be located up to 100m from the unit. Embedded LINQ Technology allows you to monitor, control, and report power and diagnostics from anywhere.



NetWaySP8WP

Key Features

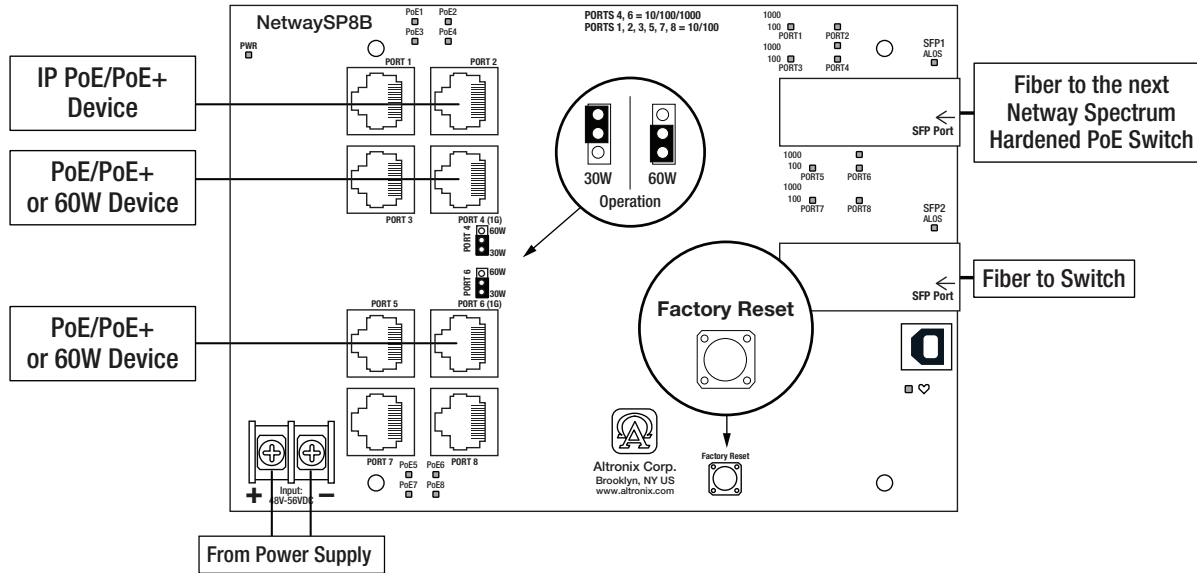
- Two (2) Gigabit SFP ports
- 115W total power:
 - Eight (8) PoE/PoE+ (up to 30W) ports or two (2) 60W ports
- Two (2) 10/100/1000 Mbps ports
- Six (6) 100 Mbps full duplex ports
- IEEE 802.3at (30W), IEEE 802.3af (15W) compliant, or 60W
- PoE activity LED indicators
- Automatic switch over to stand-by battery when AC fails
- VLAN (Virtual Local Area Networks) subnetwork allows for the grouping together of devices for improved network traffic and higher security
- UL Listed in the U.S. and Canada
- CE European Conformity
- Lifetime Warranty

Similar products

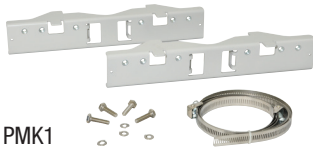
NetWaySP8WPX	Outdoor 8-port PoE+ Hardened Switch in NEMA 4/4X, IP66-11 enclosure which accommodates stand-by batteries
NetWaySP8WPN	Outdoor 8-port PoE+ Hardened Switch only in NEMA 4/4X, IP66-11 enclosure
NetWaySP8X	Indoor 8-port PoE+ Hardened Switch in NEMA 1 Rated indoor enclosure
NetWaySP8PL	8-port PoE+ Hardened Switch with Integral Power on a Backplane
NetWaySP8B	8-port PoE+ Hardened Switch (board only)

Lifetime Warranty

Typical Application



Accessories (order separately)



PMK1

PMK1 - Pole Mount Kit

PMK1 pole mount kit is designed to simplify installation of outdoor units. It accommodates 2" - 8" (diameter) poles.



SFP Modules - Hot Pluggable Transceivers

- P1MM Multi-Mode SFP Module for distances up to 550m
- P1SM10 Single-Mode SFP Module for distances up to 10km
- P1AB2K Single Strand SFP Module for distances up to 2km
- P1GCE Copper SFP Module for distances up to 100m

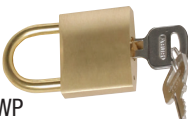


NetWaySP1A

NetWaySP1A

Ethernet over Fiber Media Converter/Repeater for Applications Requiring an Additional SFP Port

NetWaySP1A PoE powered media converter/repeater converts 10/100/1000 Mbps to Fiber (1000Base-X/SX/LX).



Lock1WP

LOCK1WP - Pad Lock for Altronix Outdoor Enclosures

Altronix Lock1WP is a pad lock to secure the latches on Altronix outdoor enclosures. Includes a single pad lock and two (2) keys.



WG1

WG1 - NEMA Rated Wire Gland Inlet

Altronix WG1 facilitates wiring for all Altronix outdoor enclosures.

Lifetime Warranty

Specifications

8-port PoE+ Hardened Switch (NetWaySP8B):

Input

Voltage 56VDC from POE201

Power Output

Maximum Power Eight (8) PoE+ (30W) ports or two (2) 60W ports
IEEE 802.3at (30W) and IEEE 802.3af (15W) compliant
120W total power
Integral surge protection

Fiber Ports: Two (2) Gigabit SFP ports

Ethernet Ports:

Six (6) 10/100 Mbps and two (2) 10/100/1000 Mbps ports
Connectivity: RJ45, auto-crossover
Wire type: 4-pair CAT5 or better structured cable
Distance: up to 100m
Speed: 10/100/1000 Mbps, half/full duplex, auto negotiation

LINQ Technology:

Remote network management allows for camera/device reset and monitoring
Provides local and/or remote access to critical information via LAN/WAN
Email and Windows Dashboard Alert notifications report real-time diagnostics
Event log tracks history

Indicators (LED)

Individual PoE On LEDs for each port
Individual IP Link status, 10/100Base-T/active LEDs for each port
ALOS LED indicates fiber connection for SFP port
Heartbeat LED indicates proper operation of the unit

VLAN:

Multiple management VLAN assignment
802.1Q Tagged VLAN
Up to 10 VLAN groups. ID Range 2-4095

Power Supply/Charger (POE201):

Input

Voltage 115VAC, 60Hz, 2.5A or 230VAC, 50/60Hz, 1.3A
Input Fuse 5A/250V

Output

Voltage 56VDC/120W
Current 2.2A continuous supply current
Maximum Power 120W total power
Integral surge protection

Battery Charging

Type Sealed lead acid or gel type
Failover Upon AC loss, instantaneous
Charging Circuit 48VDC, 0.75A
Batteries are sold separately

NetWaySP8WP:

Agency Listings

UL/cUL UL60950-1 (Information Technology Equipment)
UL60950-22 (Information Technology Equipment to be installed Outdoors)
CE European Conformity

Physical and Environmental

Dimensions (H x W x D)

Enclosure: 13.31" x 11.31" x 5.59"
(338.1mm x 287.3mm x 142mm)
Shipping: 20.25" x 12.5" x 7.25"
(514.4mm x 317.5mm x 184.2mm)

NEMA 4/4X, IP66-11 Rated enclosure for outdoor use

Weight (approx.)

Product: 10.32 lb. (4.68 kg)
Shipping: 11.7 lb. (5.3 kg)

Temperature

Operating:
60W: -40°C to 75°C (-40°F to 167°F)
75W: -40°C to 70°C (-40°F to 158°F)
100W: -40°C to 55°C (-40°F to 131°F)
120W: -40°C to 45°C (-40°F to 113°F)
Storage: -40°C to 85°C (-40°F to 185°F)

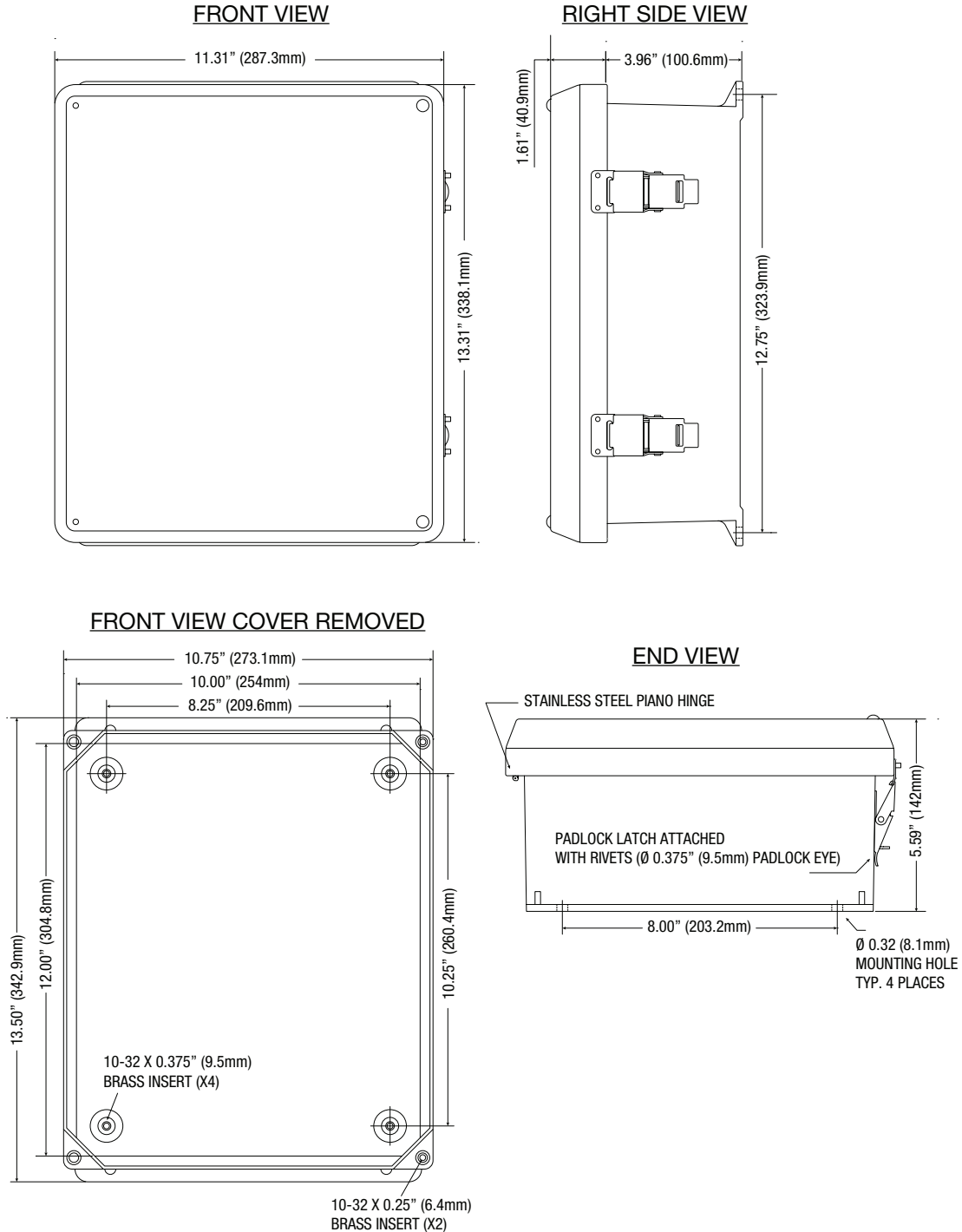
Relative Humidity 85% +/- 5%
BTU/Hr (approx.) 61 BTU/Hr.
Operating Altitude: -304.8 to 2,000m

Lifetime Warranty

Dimensions and Drawing

Dimensions (H x W x D approximate)

13.31" x 11.31" x 5.59" (338.1mm x 287.3mm x 142mm)



Lifetime Warranty

Altronix Corporation | 140 58th St | Brooklyn, NY 11220 USA

phone: +1 718.567.8181 | fax: +1 718.567.9056 | email: info@altronix.com | www.altronix.com